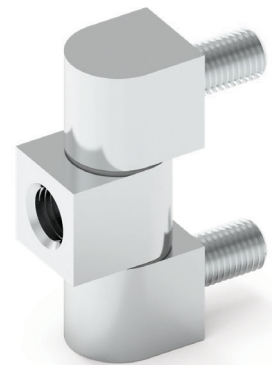




893

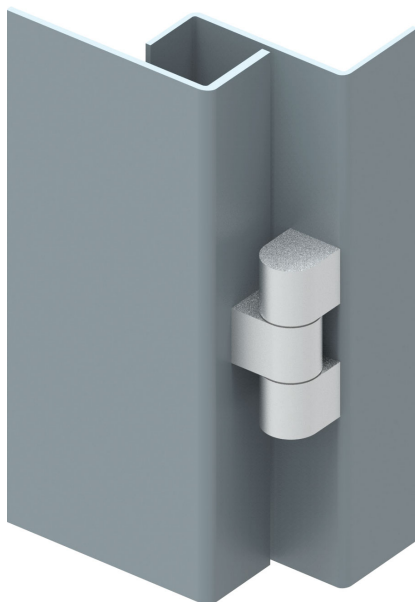
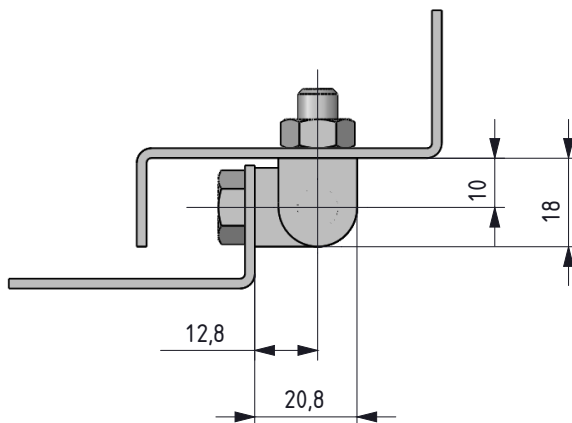
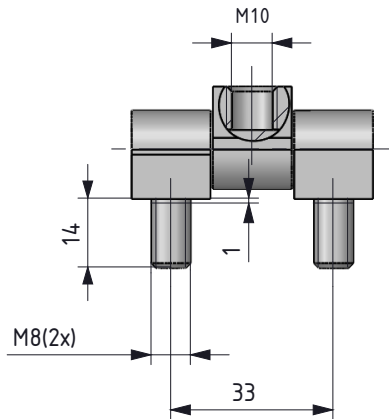
SIDE HINGE



- For medium voltage and heavy door panels
- Assembled using special screws (supplied)
- Hinge supplied in a unassembled state

MATERIAL
C45 Steel, hardened

FINISH
Zinc plated



⚠ Note: Nuts and washers are not supplied.

Hinge Rotation Angle



MATERIAL	M	FINISH	F
Steel	6	Zinc plated	3

Group Code	Material	Finish
893	6	3