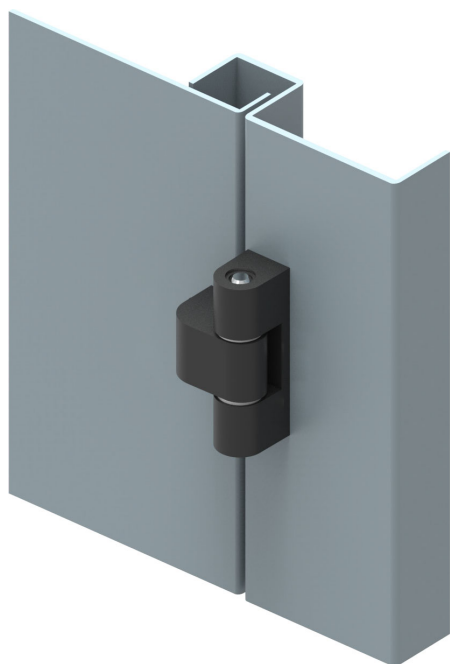
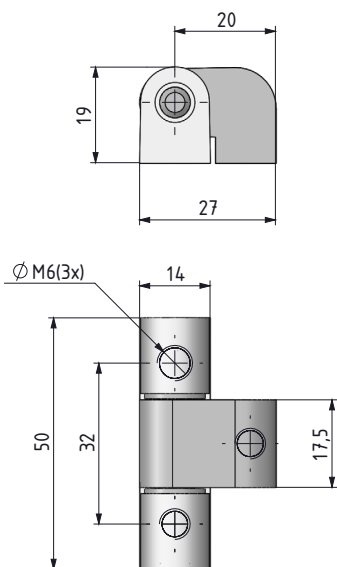




693

HINGE WITH BEARING



MATERIAL
 BODY: Zamak DIN-EN 1774-ZnAl4Cu1
 PIN: Stainless Steel
 BEARING: Delrin

MATERIAL	M	FINISH	F
Zamak	1	Chrome plated	1
		Black coated	2

Group Code	Material	Finish	Version
693	1	F	2

Hinge Rotation Angle

