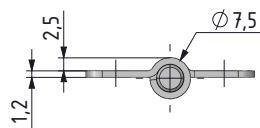
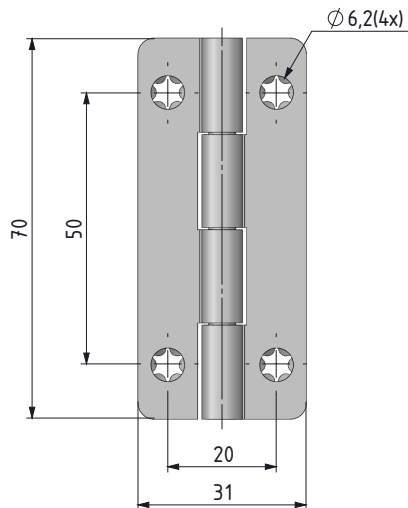




2899

LEAF HINGE



MATERIAL

BODY: Steel
PIN: Stainless Steel

⚠ Note: Bolts are not supplied

MATERIAL	M	FINISH	F
Steel	1	Zinc plated	3
		Black coated	2

Group Code	Material	Finish
2899	6	F

Hinge Rotation Angle

