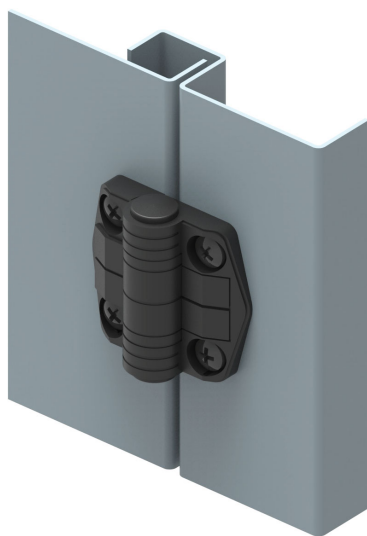
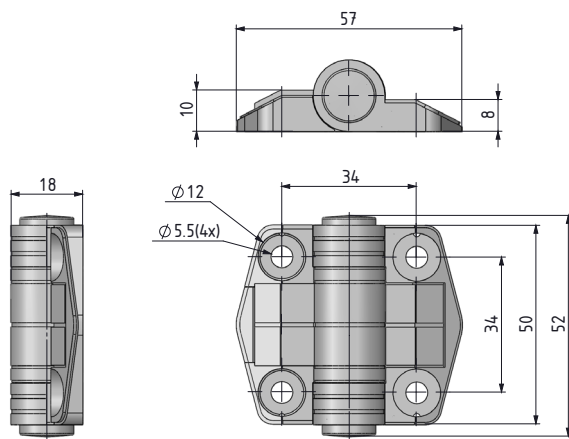




2599

INDEX HINGE



- Different angle and torque is available
- Holds door open at specific degrees. 80°, 115°, 150°

**MATERIAL**

BODY: Polyamide DIN-EN ISO 1043-1 PA6 GFR 30  
 PIN: Plastic

Position	Force (N-m)	VERSION
	No Detens	10
80°	0.7	21
	1.1	22
	1.7	23
115°	0.7	31
	1.1	32
	1.7	33
150°	0.7	41
	1.1	42
	1.7	43

MATERIAL	M	FINISH	F
Plastic	2	No finish	0

Group Code	Material	Finish	Version
2599	2	0	V