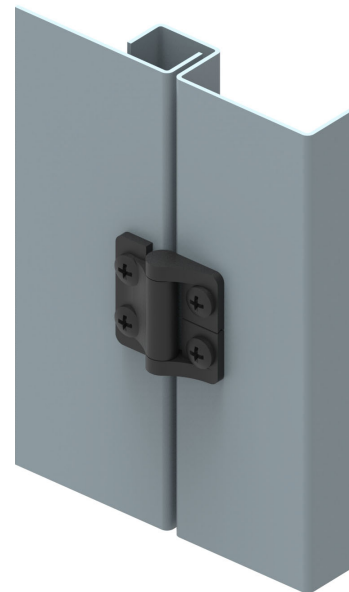
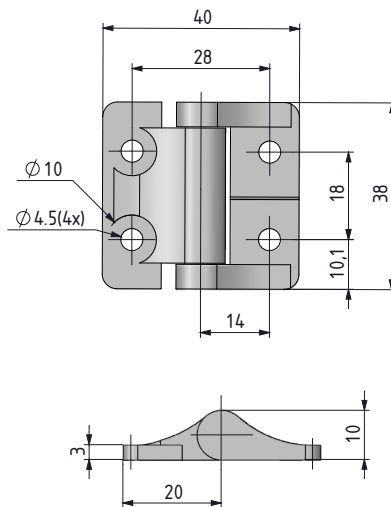


# FLAT HINGES

## TORQUE HINGE

2099



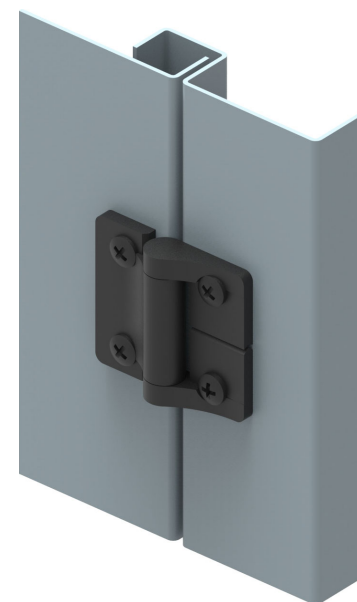
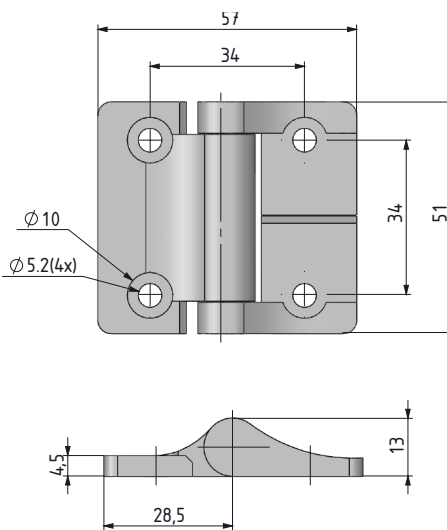
- 3.4 Nm symmetric torque
- Over 25,000 cycle life within torque specification
- Suitable for left- and right-hand application
- M5 screw mounting

**MATERIAL**

BODY: Zamak DIN-EN 1774-ZnAl4Cu1  
PIN: Steel

## TORQUE HINGE

2199



- 3.4 Nm symmetric torque
- Over 25,000 cycle life within torque specification
- Suitable left- and right-hand applications
- M5 screw mounting

Hinge Rotation Angle



MATERIAL	M	FINISH	F
Zamak	1	Black coated	2

Group Code	Material	Finish
	1	2