

FLAT HINGES

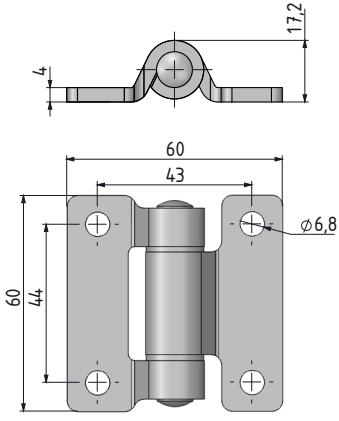
LEAF HINGE

1599

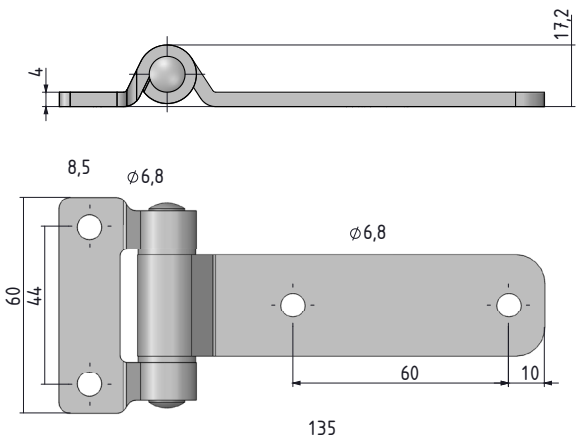


- RoHS
-
-

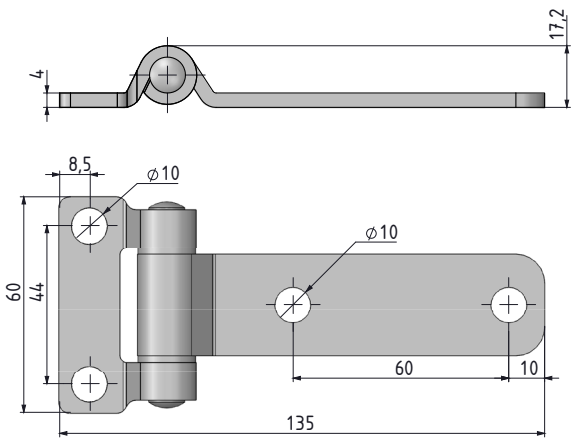
V: 1



V: 2



V: 3



- Stainless steel version: page 506
- Generally, used for plain/flush mounted, isolated, heavy doors.
- Both parts are attached by screws or nuts and bolts
- Hinge Rotation angle is 180°

MATERIAL
 BODY: Steel
 PIN: Stainless steel

FINISH
 Zinc plated or black coated



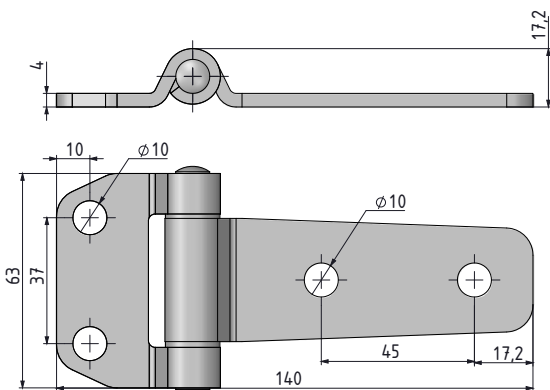
MATERIAL	M	FINISH	F
Steel	1	Zinc plated	3
		Black coated	2

Group Code	Material	Finish	Version
1599	6	F	V

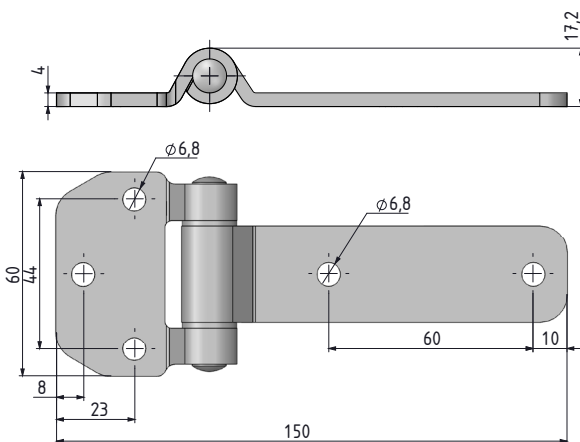


1599 LEAF HINGE

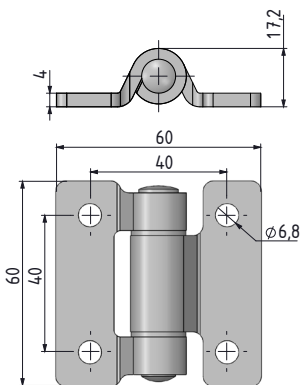
V: 4



V: 5



V: 6



- **Stainless steel version: page 507**
- Generally, used for plain/flush mounted, isolated, heavy doors.
- Both parts are attached by screws or nuts and bolts
- Hinge Rotation angle is 180°

MATERIAL

BODY: Steel
PIN: Stainless steel

FINISH

Zinc plated or black coated

MATERIAL	M	FINISH	F
Steel	1	Zinc plated	3
		Black coated	2

Group Code	Material	Finish	Version
1599	6	F	V

Hinge Rotation Angle



⚠ Note: Bolts are not supplied