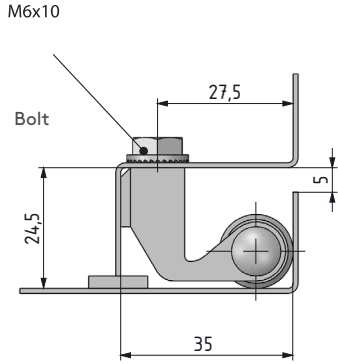
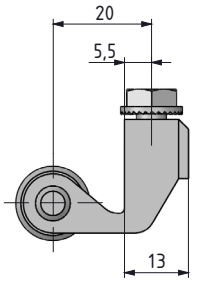
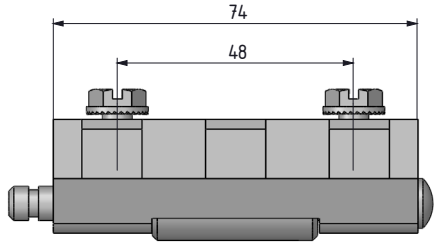
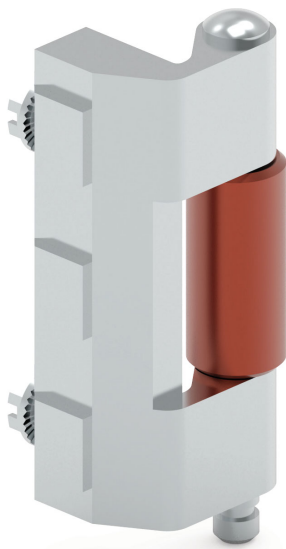


CONCEALED HINGES

CONCEALED HINGE

096



- For doors with a 24.5 mm bend
- Suitable for both panel and door-profile fixing

MATERIAL
 BODY: Zamak DIN-EN 1774-ZnAl4Cu1
 FIXED PART: Steel

FINISH
 BODY: Zinc plated or no finish
 FIXED PART: Copper plated



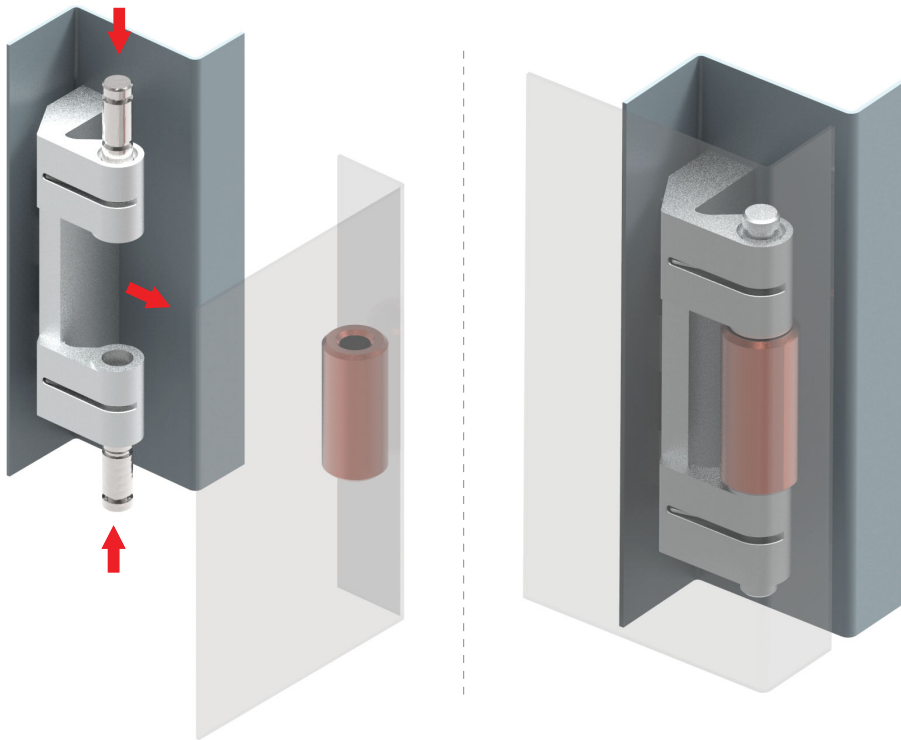
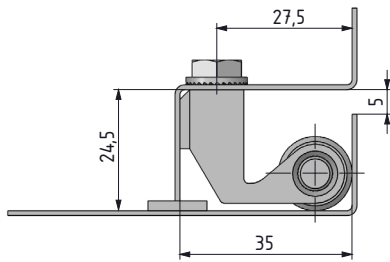
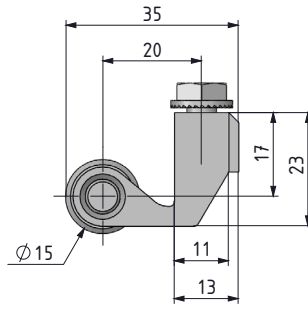
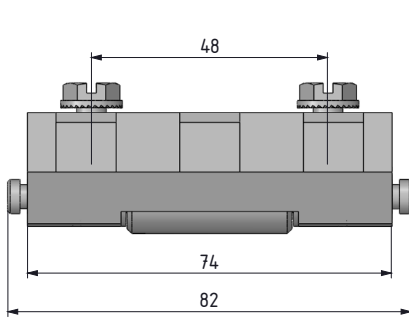
Hinge Rotation Angle



Note: Bolts are supplied

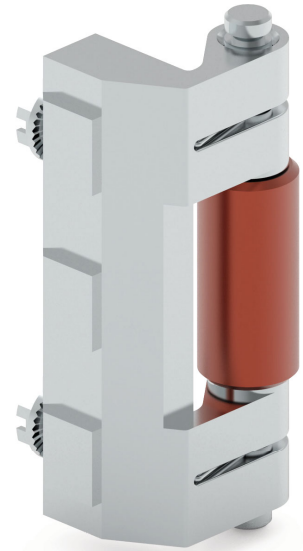
MATERIAL	M	FINISH	F
Zamak	1	Zinc plated	3
		No finish	0

Group Code	Material	Finish
096	1	F



096

CONCEALED HINGE



- Door can be taken out of frame without removing the pins
- Easy assembly
- Suitable for 24.5 mm door bend

MATERIAL

BODY: Zamak DIN-EN 1774-ZnAl4Cu1
 FIXED PART: Steel
 PIN: Stainless Steel

FINISH

BODY: Zinc plated or no finish
 FIXED PART: Copper plated

MATERIAL	M	FINISH	F
Zamak	1	Zinc plated	3
		No finish	0

Group Code	Material	Finish	Version
096	1	F	2

Hinge Rotation Angle



⚠ Note: Bolts are supplied