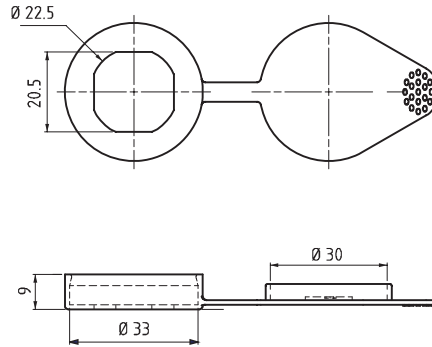
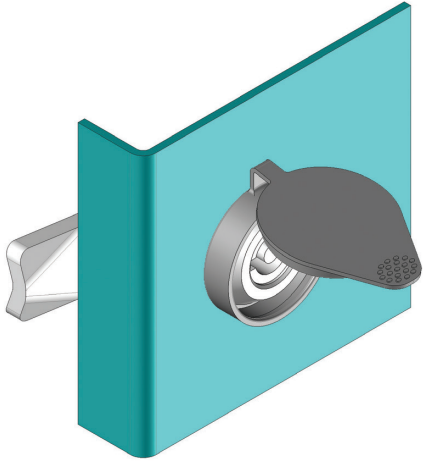




060 A7

DUST CAP

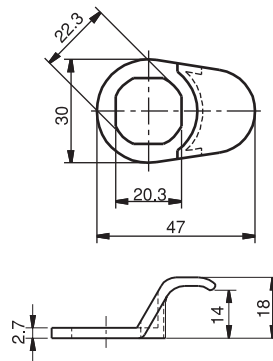
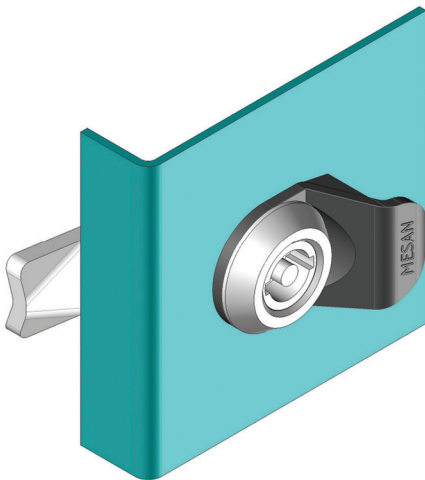


- Recommended when dust and humidity protection required
- Can be ordered separately

MATERIAL
Polyurethane

060 A2

LOCK HANDLE



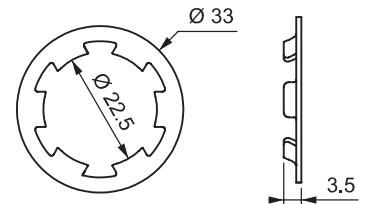
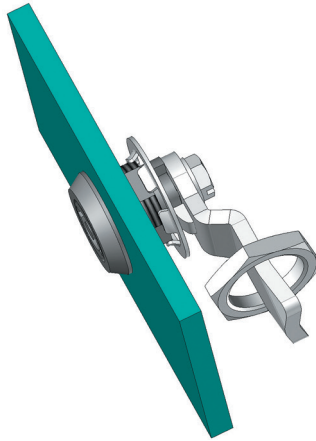
- Allows lock to be fitted to thick doors
- Easy fixing for isolated doors

MATERIAL
PA6 GFR 30

▶ QUARTER-TURN LOCKS

FIXING DEVICE

060 A3



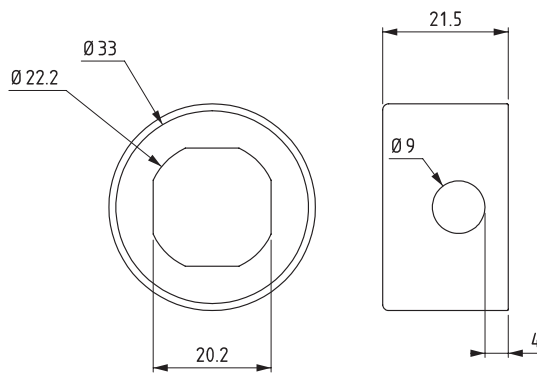
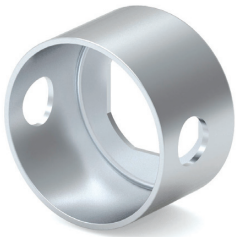
- Prevents rotation
- For applications subject to vibration

MATERIAL
Steel

FINISH
Zinc plated

PADLOCK ADAPTER

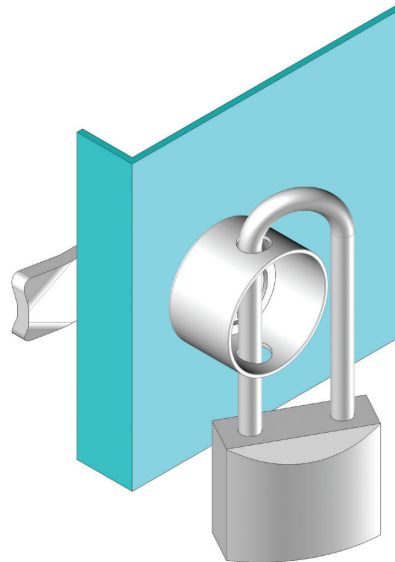
060 A8



- Max. shackle diameters is 8 mm

MATERIAL
Steel

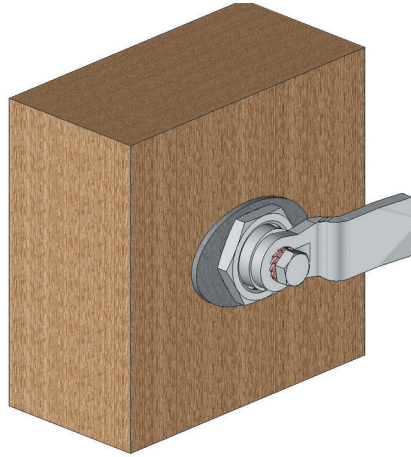
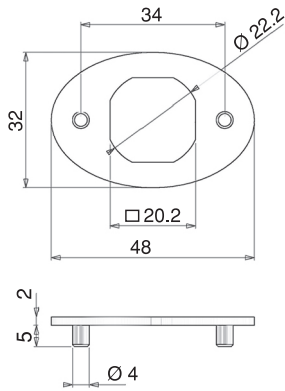
FINISH
Zinc plated





060 A5

FIXING DEVICE



- Fixing device for wooden applications

APPLICATIONS

Wooden panels

MATERIAL

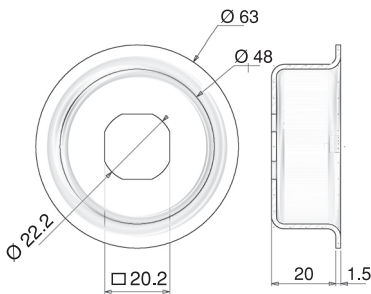
Zamak DIN-EN 1774-ZnAl4Cu1

FINISH

Zinc plated

060 A6

SPACER



- Allows lock to be fitted to thick doors
- Easy fixing for isolated doors

APPLICATIONS

Isolated covers

MATERIAL

Steel

FINISH

Zinc plated

