



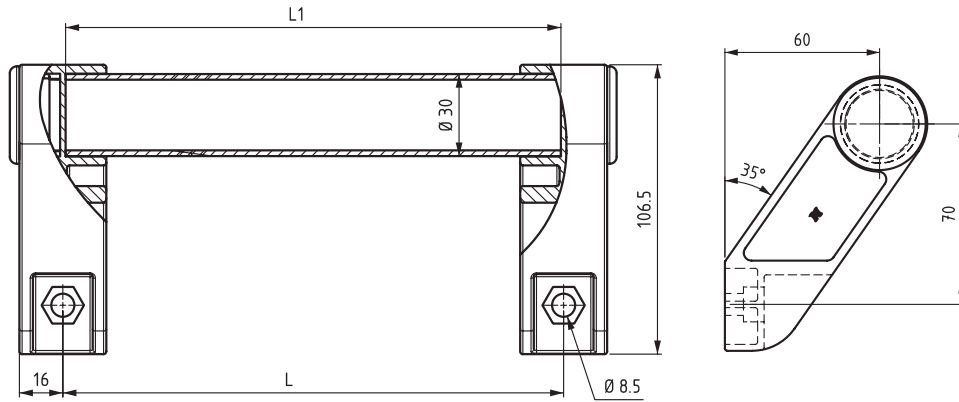
387

COVER HANDLE

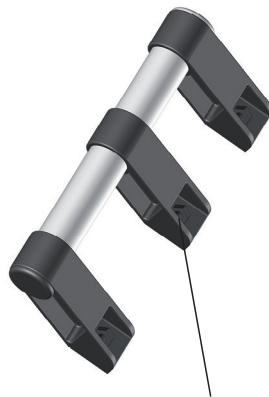


- Plastic-coated steel tube
- Centre supports should be used for handle lengths of 1000 mm or more
- For different colours and dimensions contact Essentra

MATERIAL
 FIXING PART: Polyamide DIN-EN ISO 1043-1 PA 6 GFR 30
 HANDLE: Plastic-coated steel



L1 mm	L mm
298	300
398	400
498	500
598	600
698	700
798	800
998	1000



! Middle part should be used for lengths greater than 1000 mm

350.02.028

MIDDLE HOLDER



PRODUCT CODE

387 - **L**

GROUP CODE LENGTH