

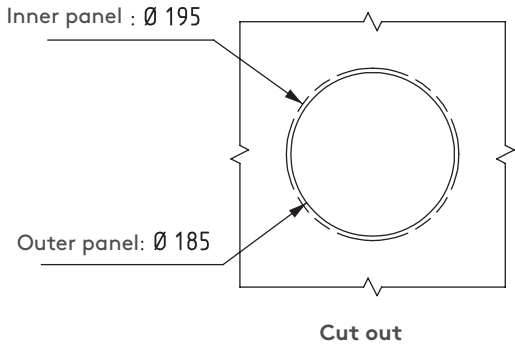
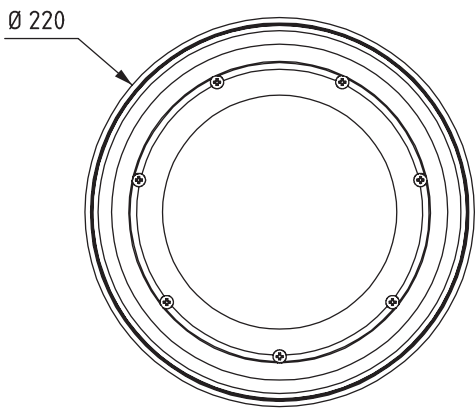
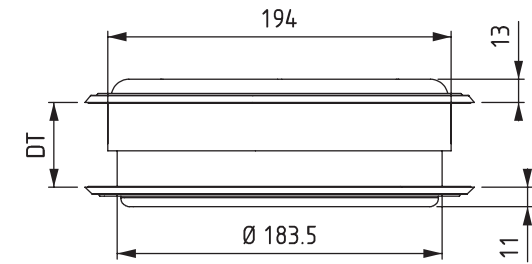
2220

CIRCULAR INSPECTION WINDOW

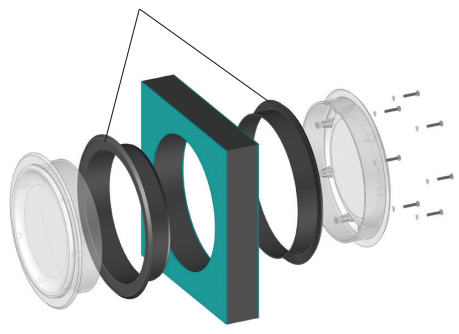


- Visual inspection of HVAC enclosures
- Adjustable for 30-60 mm isolated doors
- Mounting with 7 screws

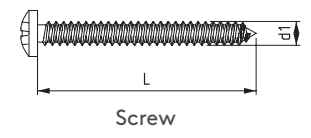
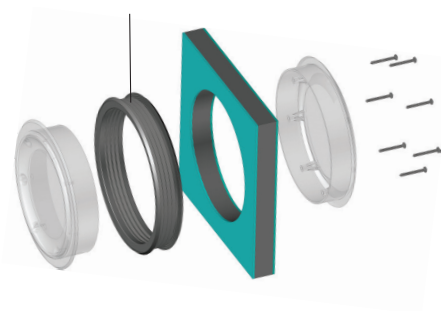
**MATERIAL**  
 WINDOW: Polycarbon  
 GASKET: Termo rubber



**V : 1**  
 Gaskets



**V : 2**  
 Bellows gasket



**PRODUCT CODE**  
 2220 - DT - V  
 GROUP CODE DOOR THICKNESS VERSION

DT	D1	L	STOCK CODE
30	4.2	38	306.03.138
40	4.2	45	306.03.304
50	4.2	50	306.03.305
60	4.2	60	306.03.306