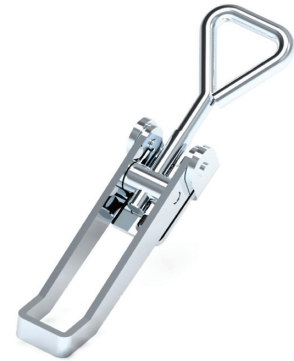


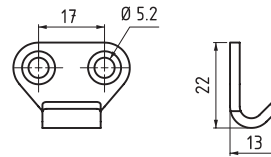
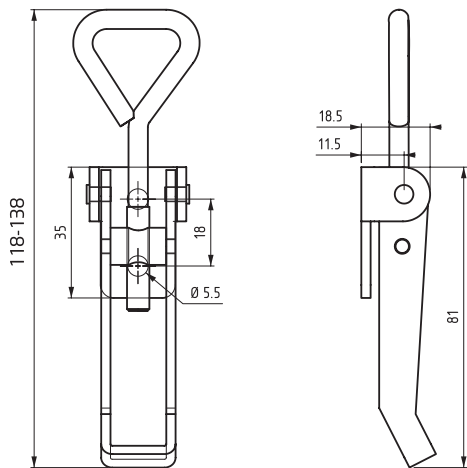
Catch plate

2702

TOGGLE LATCH



MATERIAL AND FINISH
Steel -Zinc Plated



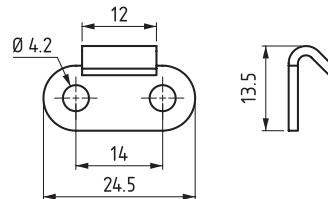
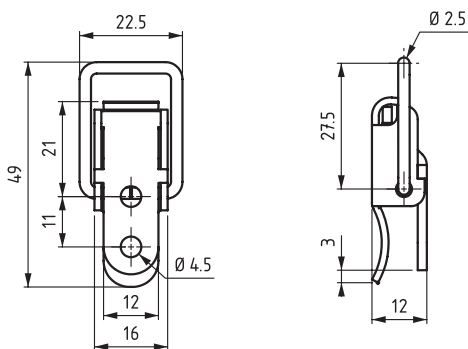
Catch plate

2701

TOGGLE LATCH



MATERIAL AND FINISH
Steel -Zinc Plated



Catch plate

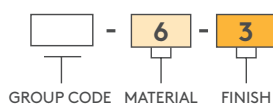
2700

TOGGLE LATCH



MATERIAL AND FINISH
Steel -Zinc Plated

PRODUCT CODE



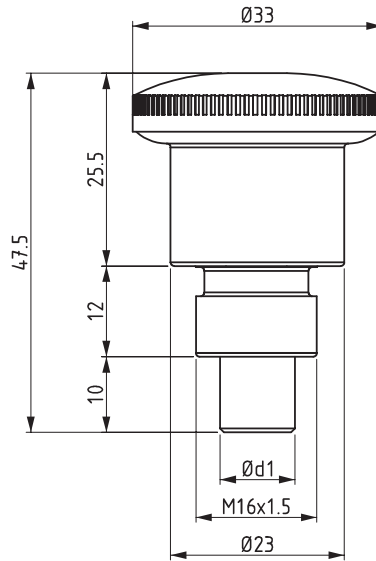
MINI INDEXING PLUNGERS



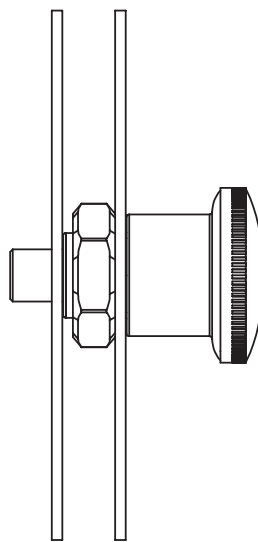
- Suitable for assembly on thin sheets.

MATERIAL

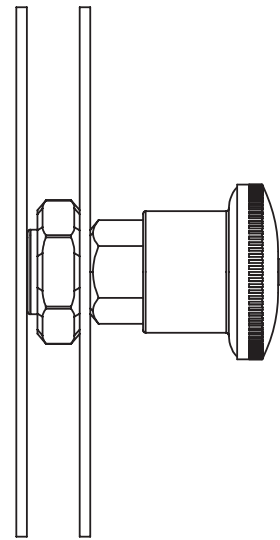
KNOB : Polyamide DIN EN ISO 1043-1 PA6 GFR 30
BODY : Steel
NUT : Steel
PIN : Stainless Steel
Finish : Zinc Plated



Product code	Ød1	Stroke
2760	10	10
2761	8	8
2762	6	6



Locked position



Open position