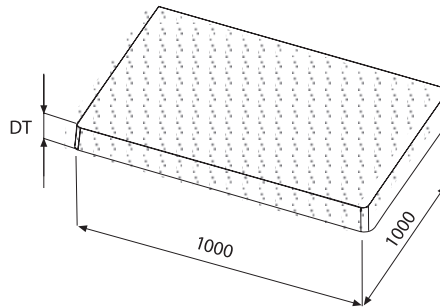


Self - adhesive

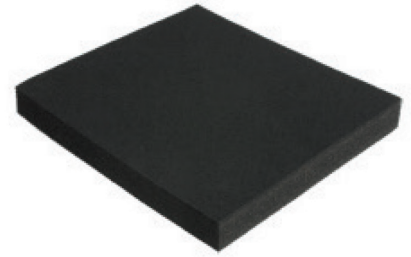
DT MM	PRODUCT CODE
30	340.10.046
40	340.10.047
50	340.10.048



Non - adhesive

DT MM	PRODUCT CODE
30	340.10.066
40	340.10.067
50	340.10.068

**ACOUSTIC SPONGE
(FLAT TYPE)**

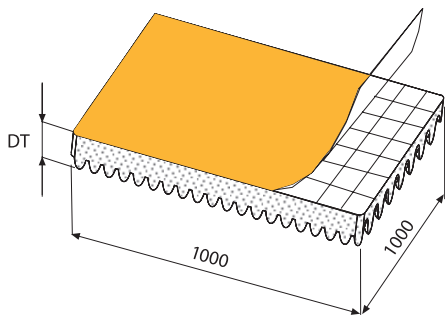


- With or without Adhesive band at back side is available
- Can be supplied as plate or Roll type.
- Provides sound and heat isolation
- Flame retardant properties
- Can be used between -30 , +130 °C
- Please contact Essentra for different sizes

MATERIAL
Polyurethane

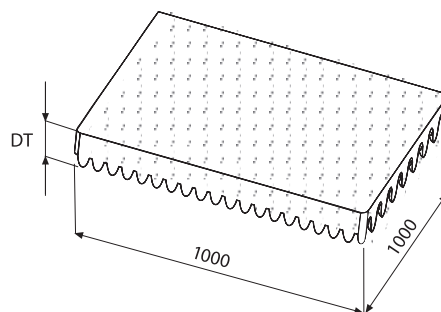
COLOR
Black

**ACOUSTIC SPONGE
(FORMED TYPE)**



Self - adhesive

DT MM	PRODUCT CODE
30/15	340.10.006
40/20	340.10.007
50/25	340.10.008



Non - adhesive

DT MM	PRODUCT CODE
30/15	340.10.026
40/20	340.10.027
50/25	340.10.028



- With or without Adhesive band at back side is available
- Can be supplied as plate or Roll type.
- Provides sound and heat isolation
- Flame retardant properties
- Can be used† between -30 , +130 °C
- Please contact Essentra for different sizes

MATERIAL
Polyurethane

COLOR
Black