
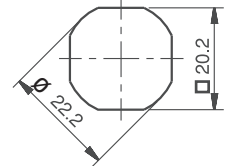
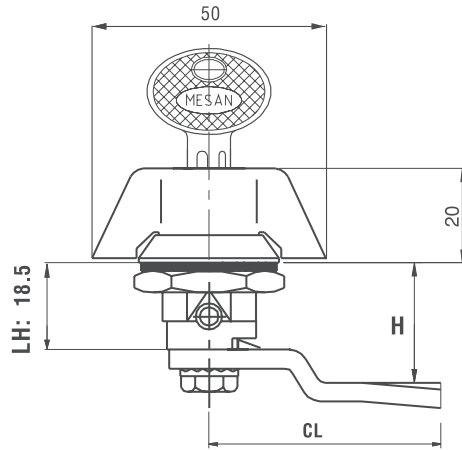


CAM LOCK – WING KNOB

065



-  **LH/RH**
-  **RoHS**



Cut out

- **Stainless steel version: page 446**
- Quarter-turn operation
- Available in all die-cast zinc alloy or with polyamide wing knob and housing
- Optional blind version

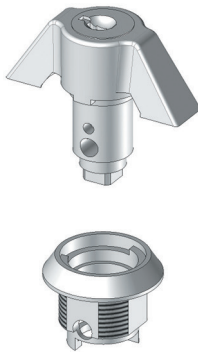
APPLICATIONS

Electric panels, machinery covers

MATERIAL

HOUSING: Zamak DIN-EN 1774-ZnAl4Cu1
CAM: Steel or Plastic
GASKET: Rubber

065 1-1-DD-CC
ZAMAK – CHROME



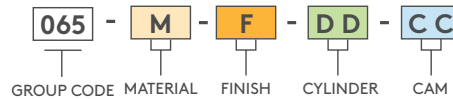
065 1-2-DD-CC
ZAMAK – BLACK COATED



065 2-0-DD-CC
PLASTIC




PRODUCT CODE



No cylinder '00'



MATERIAL	M	FINISH	F
Zamak	1	Chrome	1
		Black coated	2
Plastic	2	No finish	0

CYLINDER	SPECIFICATIONS	DD
	No cylinder	00
	Keyed alike	01
	Keyed differ	02
	Stainless steel dust cap (Keyed alike)	03
	Stainless steel dust cap (Keyed differ)	32
	Master System	04
	Euro key (5333)	05
	CH751 (Stainless steel dust cap)	07

For cams please check pages: 144 - 145