

2750

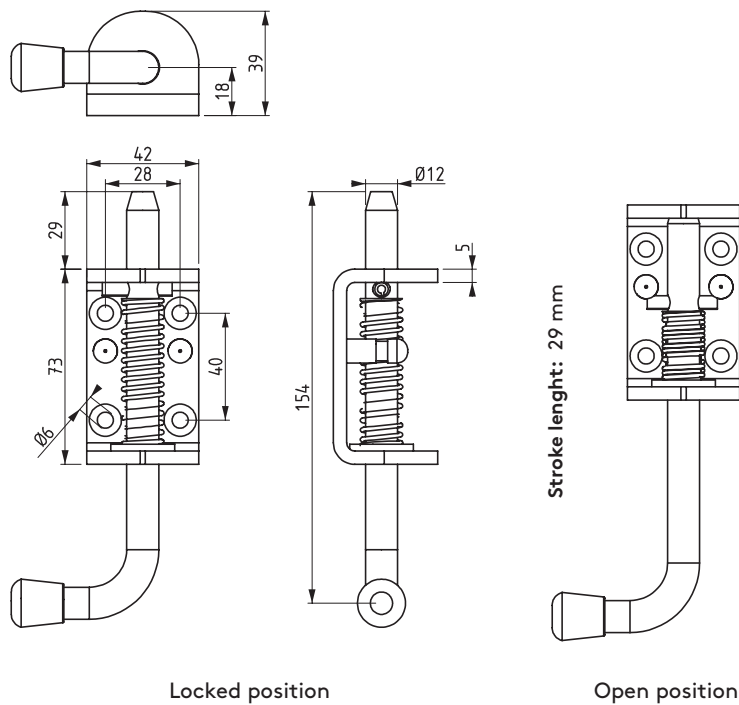
SPRING LOADED LATCH WITHOUT STUD



- Versatile galvanized steel latch great for wood or metal application.

MATERIAL

Body : Steel  
Pin : Steel  
Finish : Zinc Plated



2751

SPRING LOADED LATCH WITH STUD



- Pin system allows for the latch to be locked in the open position.
- Non-directional.

MATERIAL

Body : Steel  
Pin : Steel  
Finish : Zinc Plated

PRODUCT CODE

