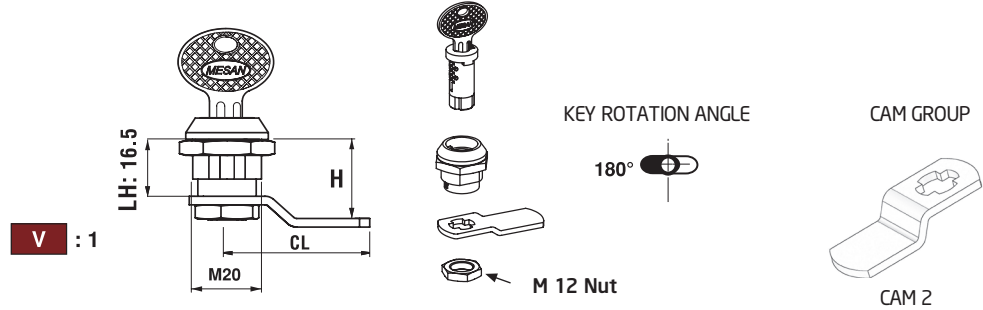


CAM LOCK

050

Cam locks

1-7



APPLICATIONS

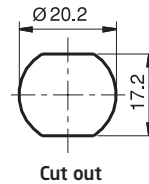
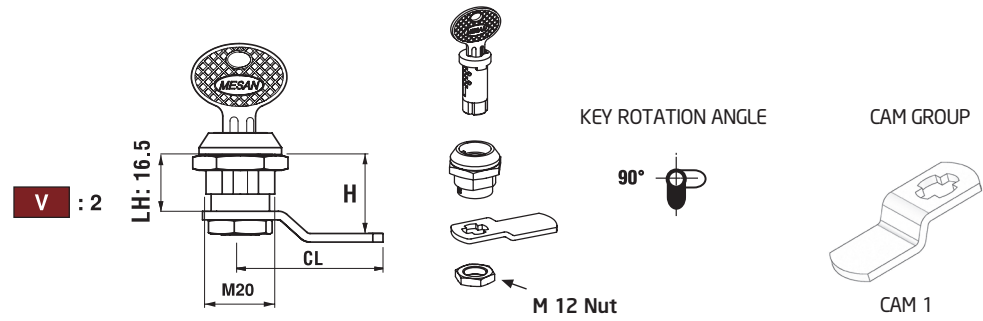
Briefcases, steel drawers, machinery covers

MATERIAL

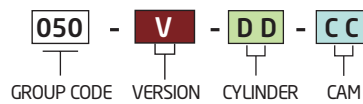
HOUSING : Zamak DIN-EN 1774-ZnAl4Cu1

CAM : Steel

FINISH : Chrome plated



PRODUCT CODE

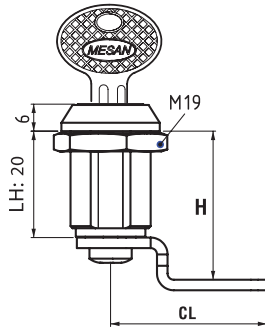


For cams please check page: 155

Cylinder	SPECIFICATIONS	DD
	Keyed alike	01
	Keyed differ	02
	Stainless steel dust cap (Keyed alike)	03
	Stainless steel dust cap (1000 Keyed differ)	32
	Euro key (5333)	05

050

CAM LOCK



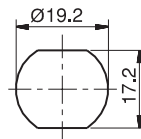
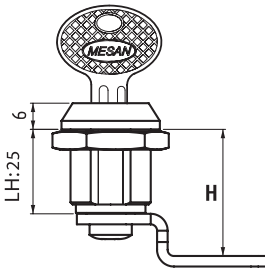
KEY ROTATION ANGLE



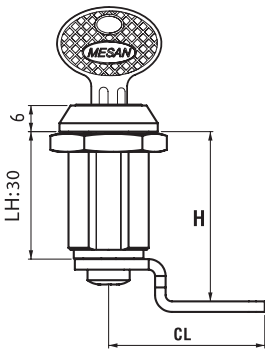
CAM GROUP



CAM 1



Cut out


APPLICATIONS

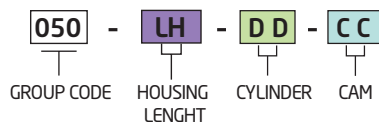
Wooden and Steel cupboard

MATERIAL

HOUSING : Zamak DIN-EN 1774-ZnAl4Cu1

CAM : Steel

FINISH : Chrome plated

PRODUCT CODE


Cylinder	SPECIFICATIONS	DD
	Keyed alike	01
	Keyed differ	02
	Stainless steel dust cap (Keyed alike)	03
	Stainless steel dust cap (1000 Keyed differ)	32
	Euro key (5333)	05

For cams please check page: 155